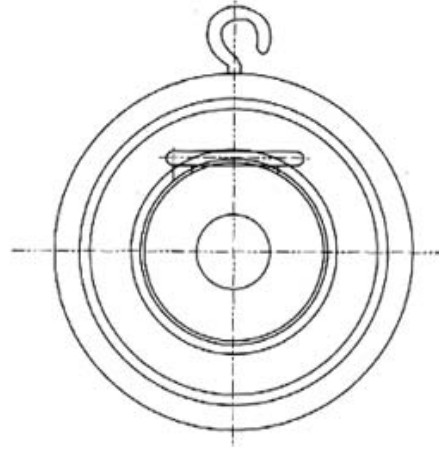
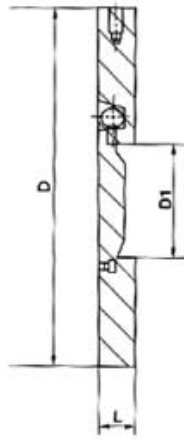


Wafer Type Single Disc Swing Check Valve



Nominal Dia		L		D1	D				Weight (kg)
DN(mm)	DN(inch)	PN1.0/1.6MPa			1.0MPa	1.6MPa	2.5MPa	4.0MPa	
50	2"	15	19	25	104	104	109	109	1.2
65	2 1/2"	15	19	38	125	125	129	129	1.6
80	3"	16	19	46	140	140	144	144	2.2
100	4"	16	19	71.5	160	160	170	170	2.7
125	5"	17	19	95	185	185	196	196	3.8
150	6"	19	29	114	220	220	226	226	5.8
200	8"	26	29	140	270	270	286	293	14
250	10"	29	38	188	330	331	343	355	17.5
300	12"	38	51	216	380	386	403	420	27
350	14"	38	45	263	440	446	460	477	41.5
400	16"	48	55	305	491	495	517	549	60
450	18"	48	60	356	541	558	567	574	74
500	20"	58	70	406	596	620	622	626	116
600	24"	68	78	482	698	732	734	745	178
700	28"	70	80	562	813	804	831		
800	32"	75	95	664	918	912	942		
900	36"	75	95	738	1018	1012	1040		
1000	40"	90	100	846	1124	1126	1155		